



HUGT Girder Tiedowns

The HUGT series high uplift girder tiedowns can be installed on beams and top chords of trusses with slopes from 0° to 34°.

Materials: 7 gauge

Finish: USP primer

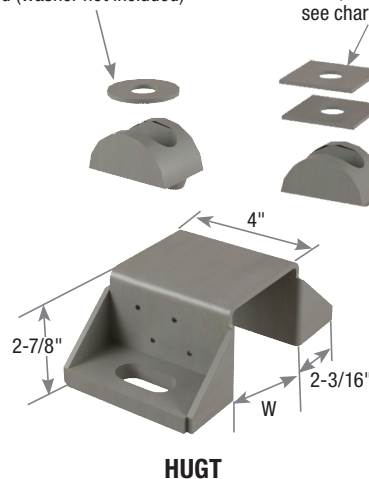
Codes: Load values are derived from data submitted to various North American building code evaluators.

Installation:

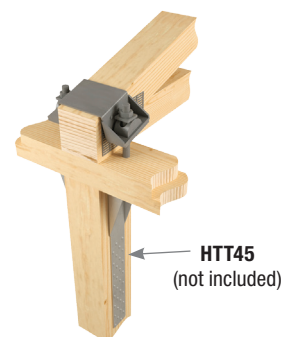
- Use all specified fasteners.
- Install the HUGT over the beam or truss (see "W" dimension on chart for appropriate width).
- Install (4) LBP58-TZ washers if (2) 5/8" tension bolts are used.
- Attached members shall be designed to resist applied loads.
- **Concrete application: Moisture barrier may be required.**

Concrete installation
(2) 3/4" washers are required if 3/4" dia. bolt is used (washer not included)

Wood installation
(4) LBP58-TZ washers are required if 5/8" dia. bolt is used (washer not included) see chart on this page.



**Typical HUGT2
concrete installation**



**Typical HUGT3
wood-to wood
installation with HTT45's**

MiTek Stock No.	W (in)	O.C. Dim Between Anchors (in)	Installation Type	Fastener Schedule ³						DF Factored Resistance		S-P-F Factored Resistance	
				Anchor Washers		Rod / Bolt		Rafter / Truss ⁴		Uplift 115% ^{1,2}		Uplift 115% ^{1,2}	
				Qty	Type	Qty	Dia. (in)	Qty	Type	Lbs	kN	Lbs	kN
HUGT2	3-5/16	5-3/4	Wood	4	LBP58-TZ	2	5/8	8	10d	14625	65.06	11980	53.29
			Concrete	--	--	2	3/4						
HUGT3	4-15/16	7-3/8	Wood	4	LBP58-TZ	2	5/8	8	10d	14625	65.06	11980	53.29
			Concrete	--	--	2	3/4						
HUGT4	6-7/8	9	Wood	4	LBP58-TZ	2	5/8	8	10d	14625	65.06	11980	53.29
			Concrete	--	--	2	3/4						

- 1) Factored resistances have been increased 15% for short-term loads such as wind and earthquake; no further increase allowed.
 - 2) **Factored resistances apply where roof pitch is no more than 8:12.**
 - 3) Designer must specify anchor bolt type, length, and embedment.
 - 4) **NAILS:** 10d nails are 0.148" dia. x 3" long.
- New products or updated product information are designated in **blue font**.

Use in conjunction with MiTek's current Canadian Product Catalogue for detailed hanger information.



**MiTek supplies quality products
to build Stronger Safer Structures**
MiTek.ca

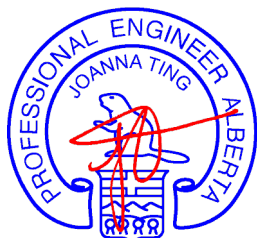
Valid through Dec. 31, 2018

USP2320-HUGT
August 2017
©2017 MiTek Industries, Inc. All Rights Reserved.



HUGT Girder Tiedowns

APEGA
Permit No. P3837



Aug. 3, 2017

The HUGT series high uplift girder tiedowns can be installed on beams and top chords of trusses with slopes from 0° to 34°.

Materials: 7 gauge

Finish: USP primer

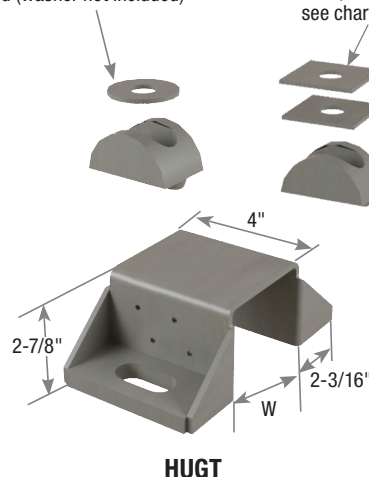
Codes: Load values are derived from data submitted to various North American building code evaluators.

Installation:

- Use all specified fasteners.
- Install the HUGT over the beam or truss (see "W" dimension on chart for appropriate width).
- Install (4) LBP58-TZ washers if (2) 5/8" tension bolts are used.
- Attached members shall be designed to resist applied loads.
- **Concrete application: Moisture barrier may be required.**

Concrete installation
(2) 3/4" washers are required if 3/4" dia. bolt is used (washer not included)

Wood installation
(4) LBP58-TZ washers are required if 5/8" dia. bolt is used (washer not included) see chart on this page.



Aug. 3, 2017

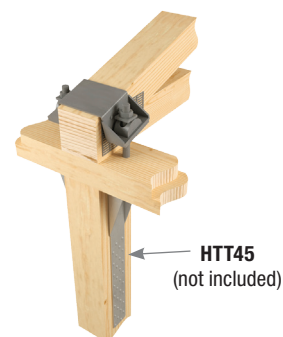
APEGM
Certificate No. 96



Aug. 3, 2017



Typical HUGT2
concrete installation



Typical HUGT3
wood-to wood
installation with HTT45's
(not included)

MiTek Stock No.	W (in)	O.C. Dim Between Anchors (in)	Installation Type	Fastener Schedule ³						DF Factored Resistance		S-P-F Factored Resistance	
				Anchor Washers		Rod / Bolt		Rafter / Truss ⁴		Uplift 115% ^{1,2}		Uplift 115% ^{1,2}	
				Qty	Type	Qty	Dia. (in)	Qty	Type	Lbs	kN	Lbs	kN
HUGT2	3-5/16	5-3/4	Wood	4	LBP58-TZ	2	5/8	8	10d	14625	65.06	11980	53.29
			Concrete	--	--	2	3/4						
HUGT3	4-15/16	7-3/8	Wood	4	LBP58-TZ	2	5/8	8	10d	14625	65.06	11980	53.29
			Concrete	--	--	2	3/4						
HUGT4	6-7/8	9	Wood	4	LBP58-TZ	2	5/8	8	10d	14625	65.06	11980	53.29
			Concrete	--	--	2	3/4						

1) Factored resistances have been increased 15% for short-term loads such as wind and earthquake; no further increase allowed.
 2) **Factored resistances apply where roof pitch is no more than 8:12.**
 3) Designer must specify anchor bolt type, length, and embedment.
 4) **NAILS:** 10d nails are 0.148" dia. x 3" long.
 New products or updated product information are designated in **blue font**.

Use in conjunction with MiTek's current Canadian Product Catalogue for detailed hanger information.



MiTek supplies quality products
to build Stronger Safer Structures
MiTek.ca

Valid through Dec. 31, 2018

USP2320-HUGT
August 2017

©2017 MiTek Industries, Inc. All Rights Reserved.



HUGT Girder Tiedowns

The HUGT series high uplift girder tiedowns can be installed on beams and top chords of trusses with slopes from 0° to 34°.

Materials: 7 gauge

Finish: USP primer

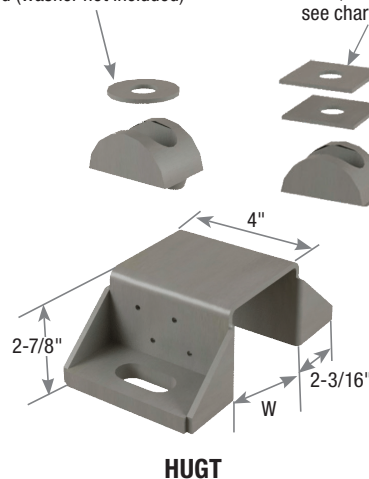
Codes: Load values are derived from data submitted to various North American building code evaluators.

Installation:

- Use all specified fasteners.
- Install the HUGT over the beam or truss (see "W" dimension on chart for appropriate width).
- Install (4) LBP58-TZ washers if (2) 5/8" tension bolts are used.
- Attached members shall be designed to resist applied loads.
- **Concrete application: Moisture barrier may be required.**

Concrete installation
(2) 3/4" washers are required if 3/4" dia. bolt is used (washer not included)

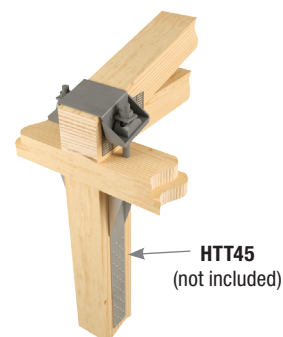
Wood installation
(4) LBP58-TZ washers are required if 5/8" dia. bolt is used (washer not included) see chart on this page.



HUGT



Typical HUGT2 concrete installation



Typical HUGT3 wood-to wood installation with HTT45's (not included)

MiTek Stock No.	W (in)	O.C. Dim Between Anchors (in)	Installation Type	Fastener Schedule ³						DF Factored Resistance		S-P-F Factored Resistance	
				Anchor Washers		Rod / Bolt		Rafter / Truss ⁴		Uplift 115% ^{1,2}		Uplift 115% ^{1,2}	
				Qty	Type	Qty	Dia. (in)	Qty	Type	Lbs	kN	Lbs	kN
HUGT2	3-5/16	5-3/4	Wood	4	LBP58-TZ	2	5/8	8	10d	14625	65.06	11980	53.29
			Concrete	--	--	2	3/4						
HUGT3	4-15/16	7-3/8	Wood	4	LBP58-TZ	2	5/8	8	10d	14625	65.06	11980	53.29
			Concrete	--	--	2	3/4						
HUGT4	6-7/8	9	Wood	4	LBP58-TZ	2	5/8	8	10d	14625	65.06	11980	53.29
			Concrete	--	--	2	3/4						

- 1) Factored resistances have been increased 15% for short-term loads such as wind and earthquake; no further increase allowed.
 - 2) **Factored resistances apply where roof pitch is no more than 8:12.**
 - 3) Designer must specify anchor bolt type, length, and embedment.
 - 4) **NAILS:** 10d nails are 0.148" dia. x 3" long.
- New products or updated product information are designated in **blue font**.

APENS
Permit No. 15800 0

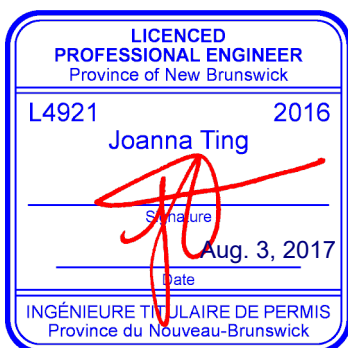


Aug. 3, 2017

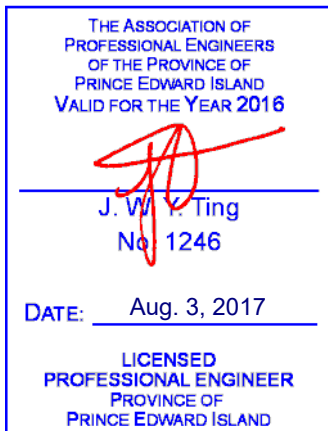
PEG
Permit No. D0027



APEGNB
Certificate No. F0649



APEPEI
Permit No. A195



Use in conjunction with MiTek's current Canadian Product Catalogue for detailed hanger information.



MiTek supplies quality products
to build Stronger Safer Structures
MiTek.ca

Valid through Dec. 31, 2018

USP2320-HUGT
August 2017
©2017 MiTek Industries, Inc. All Rights Reserved.